

MHY 924

Addressable module for siren

MHY 924 is addressable module intended for power and control of alarm sirens, beacons, sirens with beacons connected to the detection line of addressable C.I.E. LITES. Printed circuit board can be installed directly to the mounting base of sirens ROSHNI ROLP, ROLPSB.



MHY 924 is connected to the detection line of addressable C.I.E. MHU 109, MHU 110/111, MHU 115, MHU 116, MHU 117:

- a) Two wire – siren is powered from internal ACCU (fig.1)
- b) Four wire – siren is powered from C.I.E., eventually from external source (fig.2)

Conditions for activation of module output, and time of its activation are defined in configuration program of individual C.I.E., to which is module connected.

Address is set using addressable preparation MHY 535. Electrical circuits of module are on the printed circuit board. Attachable conductors of detection line and external power are connected to terminal, conductors for connecting of accumulator and siren (beacon) are connected to connectors with help of conductors contained in accessories..

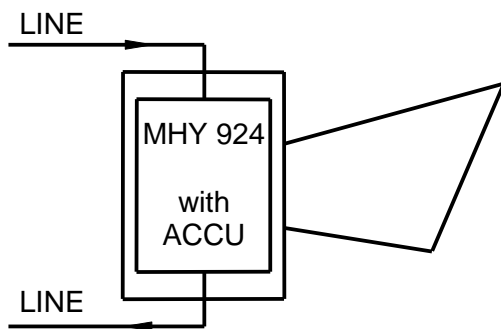


Fig. 1

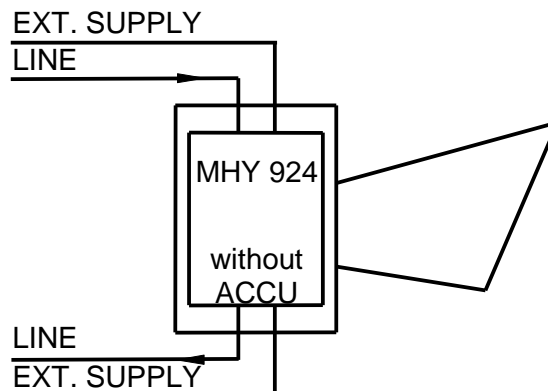


Fig. 2

Principle of operation

Module MHY 924 is powered by pulse voltage from detection line of C.I.E: It contains source for powering of own electronic circuits and circuit for control of siren. It also contains changer of voltage for siren $19 \div 22$ V from range of input voltage $8 \div 28$ V (ACCU 9 V or external power $8 \div 28$ V). An output for siren is activated, when defined conditions are met.

Technical parameters

Power supply (from detection line)	$(18 \div 21) V_{imp}$
Power supply (from external source)	$(8 \div 28) V$
Quiescent current (for credit to current of line)	max. 500 μA
Max. number of modules on the line	32 pcs
Optical signalling – on module board	red LED
Setting of address (preparation MHY 535, MHY 536)	1 to 128
Permitted load consumption- power from ACCU	max. 50 mA
- power from EXT source	max. 250 mA
Protection according to ČSN EN 60529	IP 30
Radio screening degree according to ČSN EN 55 022	B-class equipment
Cross-section of attachable conductors	(0,2 to 1,5) mm ²
Dimensions (w x h x d)	(81 x 53 x 18) mm
Weight	ca 55 g
Accumulator:	NiCd, NiMH, Li-ion accumulator (8,4÷9) V

Refresher current for charging of accumulator is taken from detection line (it is included to quiescent current consumption 500 μA).

Test of accumulator is performed periodically by current pulse. The first test of ACCU is performed 5 min after switch on then every 8,5 min. During the periodic test the terminal voltage of ACCU is checked and difference test/quiescent. Accumulator is protected against deep discharge to prevent its damage and shorten the life. Negative result of test of accumulator is signalled on C.I.E.

In the case of power of module from external source it is controlled presence of an external power.

Element MHY 924 is designed for connection to the safe device according to ČSN EN 60950 and fulfils requirements of standard for input/output devices ČSN EN 54-18.

Version 11/2016



LITES Liberec s.r.o., Oblouková 135
463 03 Stráž nad Nisou, Česká republika
www.lites.cz